



## Instructions for Installing FMF Silencer

Thank you for choosing FMF as your performance aftermarket exhaust. We have spent countless hours of R&D and testing to ensure you receive the highest quality product on the market today.

All FMF products are developed using the most current technology available for design and manufacturing. Every exhaust is made 100% at the Flying Machine Factory in Southern California. We use only the highest quality American materials for function and durability.

Since 1973, FMF has been bringing you the very best in bolt on performance. Our products are specifically engineered to broaden your existing powerband and give you an all around power increase with substantial weight savings. Bolt on FMF and **FEEL THE POWER!**

Check out our website at [www.fmfracing.com](http://www.fmfracing.com) for more information.

### Attention

This product is designed for closed course use only unless otherwise stated and not intended to meet emission regulations for use on public lands, roads or access routes – consult with local jurisdictions.

Please read all instructions thoroughly before installation. Failure to follow all installation instructions will void any warranty implied or otherwise. FMF Racing is not responsible for problems due to improper installation and/or improper use.

Before you begin installing this product, we recommend wearing safety glasses and mechanics gloves. You must know how to remove and replace your stock exhaust in order to install this FMF product otherwise have it installed by a professional mechanic. Keep all stock parts from your existing system as some components may be necessary to install your new FMF exhaust depending on the application.

### Parts Supplied

(1) silencer 025230-025233

### Tools Required

8mm wrench  
small flat-blade screwdriver  
WD-40

### Removal

1. Make sure engine is completely cool prior to installation and the vehicle is in a stable position.
2. Remove the front silencer mounting bolt; save for later use.
3. While holding the silencer, loosen and remove the rear silencer mounting bolt; save for later use.
4. Gently slide the silencer rearward to release it from the stinger. Use WD-40 in the silencer/pipe junction to help ease removal. Take off the pipe/silencer coupler and save for later use.

### Pre - Installation

5. Remove the aluminum spacers from the silencer. Take note of their positions.
6. Using a standard screwdriver, remove the stock rubber bushings from the silencer and install them in your FMF silencer. Be sure not to cut or tear the bushings. A small amount of WD-40 applied to the outer ring of the bushing will help ease removal and installation.
7. Slightly loosen the mounts securing the pipe to the frame. We recommend loosening the pipe when installing a new silencer to ensure proper fit and alignment.
8. Install the aluminum spacers removed in step #5 onto your FMF silencer. Be sure to install the thicker spacers to the outside of the front silencer mounts (Fig. 1).
9. Reinstall the pipe/silencer coupler removed in step#4.

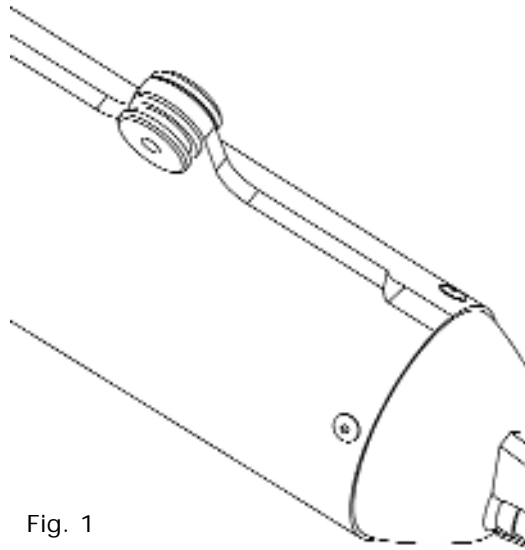


Fig. 1

### Installation

10. Slide the FMF silencer onto the pipe stinger.
11. Insert the stock bolt and washer removed in step #3 through the front silencer mount and thread into the subframe. Do not fully tighten at this time.
12. Insert the stock bolt and washer removed in step #2 through the rear silencer mount and thread into the subframe. Do not fully tighten at this time.
13. Make sure the pipe and silencer are in a neutral position and not binding. Slowly tighten all mounting fasteners and clamps to manufacturer's specifications starting at the forward most pipe mount and work your way back to the rearmost silencer mount.
14. Inspect the complete exhaust to make sure there is no contact with the frame, shock spring, engine, body panels or any cables, hoses or wiring. The exhaust system should only be in contact with the exhaust port and mounting points. Confirm all controls operate in accordance with manufacturer's specifications.

### Post - Installation

15. Start the engine and bring to operating temperature. Check for exhaust leaks.
16. Allow the engine to cool completely and torque all mounting hardware to manufacturer's specifications.

### Maintenance

To clean your FMF silencer, allow to cool and use mild soap and water. Do not spray water onto a hot exhaust. Dry completely to prevent streaking. Mild soap and water are recommended on the canister to prevent streaking and uneven discoloration.

We recommend repacking your FMF silencer after every 10-12 hours of normal use when properly jetted. This will maintain peak performance and keep that race tone. Water will ruin the packing. Cover the exhaust outlet when washing your machine. Repack your silencer if water enters into the chamber. We have various packing materials to choose from.

To repack the silencer, remove the allen screws from the front of the silencer using an allen wrench. Do not remove the rear endcap. Gently slide out the front mid pipe from the silencer canister. You may need to use a rubber or plastic mallet to lightly tap it out. Be careful not to damage the silencer. Unwrap the packing from the core and discard. Wrap the core with new FMF 2-stroke packing and secure with a strip of 1/2" masking tape. Do not pack too tightly, as this will hamper performance and increase the sound level. Before re-installing the inner core assembly, apply a thin layer of High Temp Silicone on the front endcap where the canister slips over. Slide inner core assembly into canister making sure the perforated core fully seats in the rear endcap. Wipe off any excess silicone. Reinstall the allen screws until snug or tighten 1/4 turn after the screw makes contact with the canister.

**DISCLAIMER:** All products manufactured and/or distributed by FMF Racing are a) intended for use on stock vehicles specific to the U.S. market; b) for closed course use only unless otherwise stated and c) not intended to meet emission regulations for use on public lands, roads or access routes – consult with local jurisdictions. FMF Racing makes no claims as to the products applicability, effectiveness or fitment on modified machines. FMF Racing is the sole determiner of abuse, misuse, installation errors and modifications. We assume no liability for any errors in listings, specifications, part numbers, prices or model applications. We reserve the right to change specifications, product descriptions, product quality, pricing and application at any time without notice and without further obligation. Buyer assumes all risk for any and all damage caused to themselves, a third party and/or property by virtue of failure of these products. By installing and/or using an FMF product, you hereby accept and understand these stated terms and conditions and have followed all instructional steps.

**LIMITED WARRANTY:** All merchandise manufactured by FMF Racing has a warranty against manufacturing defects for a period of one (1) year from the date of invoice. Warranty is limited to the repair or replacement of defective products. There is no warranty for normal wear and tear, any type of crash damage or for product failure due to improper muffler or packing maintenance. FMF Racing reserves the right to repair, replace or issue an FMF credit for defective product at its discretion. Credits are valid for a period of one (1) year from issuance. No credit will be issued for labor or other costs incurred beyond the value of the original product. Product returned as a warranty after having been used, if found to be defective, is not valued at the full purchase price. A depreciated value will be estimated for used product. Product accepted as a warranty claim and repaired or replaced will be returned via UPS-ground freight no charge. Warranty excludes product that has been modified or where the product was improperly installed, abnormally used or misused. This limited warranty is in lieu of all other guarantees or warranties implied or expressed. This includes, without limitation, any warranties or merchantability and fitment for a particular purpose. We make no warranty as to products distributed by FMF Racing, expressed or implied. We will, however, pass on all warranties made by the manufacturer, who has sole responsibility for performing such warranties. A return authorization number must be issued by FMF Racing before product is returned. Returns must be sent back to FMF Racing freight prepaid. Proof of purchase, such as a copy of the original invoice, must accompany all warranty claims. Warranties will be honored to the direct purchaser only.